

ERF4021, GSM/GPS Antenna, (2x)SMA Male connector

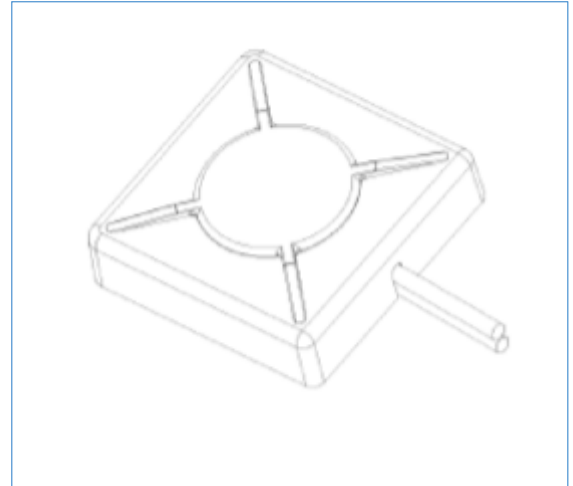
Features

Electrical Properties

Parameter:	Description
Frequency Band:	GPS/GSM
Nominal Impedance:	50 Ω
Polarization:	Linear
V.S.W.R:	< 3.0

Mechanical Properties

Parameter:	Description
Antenna Type:	External Antenna
Mounting Method:	Screw Type
Connector Type:	SMA Male (2x)
Antenna Dimensions:	45 * 45 * 14.4 mm ± 0.1
Cable Length:	100 cm ± 2
Cable Type:	RG-174 A/U
Operating Temperature Range:	-20°C~+60°C



Typical applications

- M2M
- GSM
- GPRS
- GPS/GLONASS

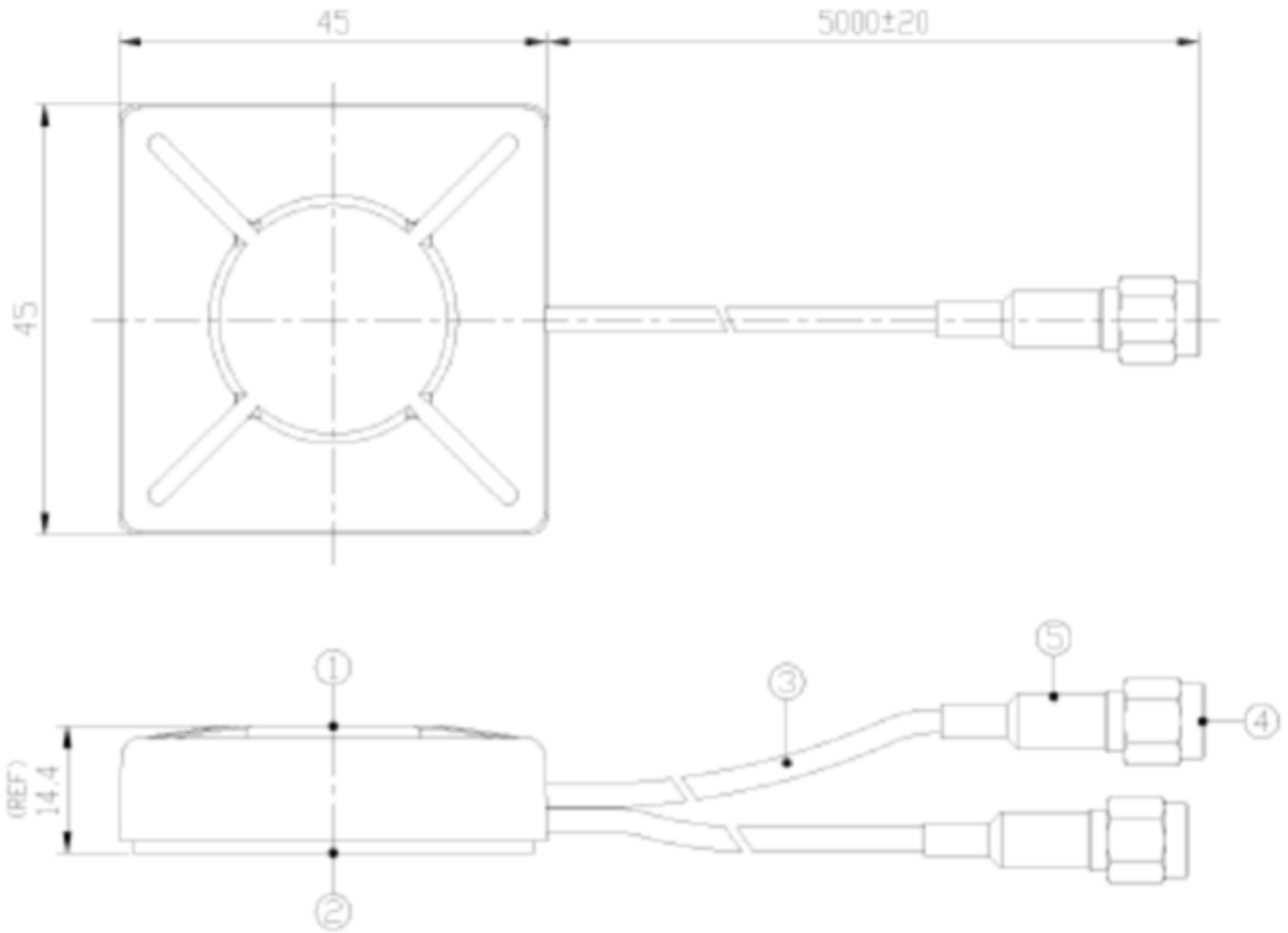
Description

The ERF4021 antenna is a black GSM/GPS antenna with 2x SMA Male connector and 1m cable. The antenna can be used for applications such as, M2M, GSM, GPRS, GPS/GLONASS and more.

ERF4021, GSM/GPS Antenna, (2x)SMA Male connector

Dimensions

*unit: mm



ERF4021, GSM/GPS Antenna, (2x)SMA Male connector

Connector**SMA Male****SMA Female****RP-SMA Male****RP-SMA Female**

The ERF4021 antenna uses 2x SMA Male connector.

Ordering information

Ordering can be done via www.summit-electronics.com or via info@summit-electronics.com. Please contact us for more information. Customisation of the product is available on request.

Technical support

For all product questions please contact us via info@summit-electronics.com